

# LUXART



## Carmella

C11137-CP/BN/ORB

### Features

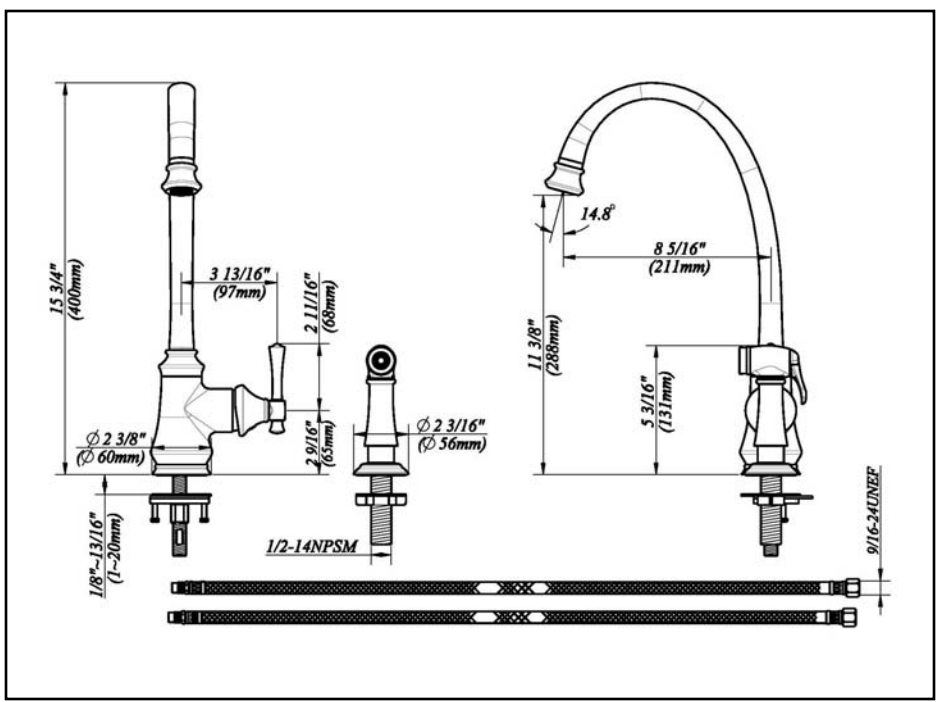
- Ceramic Disc Cartridges
- Brass Waterways
- 8 5/16" Long, 15 3/4" High Spout
- 8" Installation Spread
- Factory Tested Prior To Shipment

### Available Finishes

- Polished Chrome
- Brushed Nickel
- Oil Rubbed Bronze

### Certifications

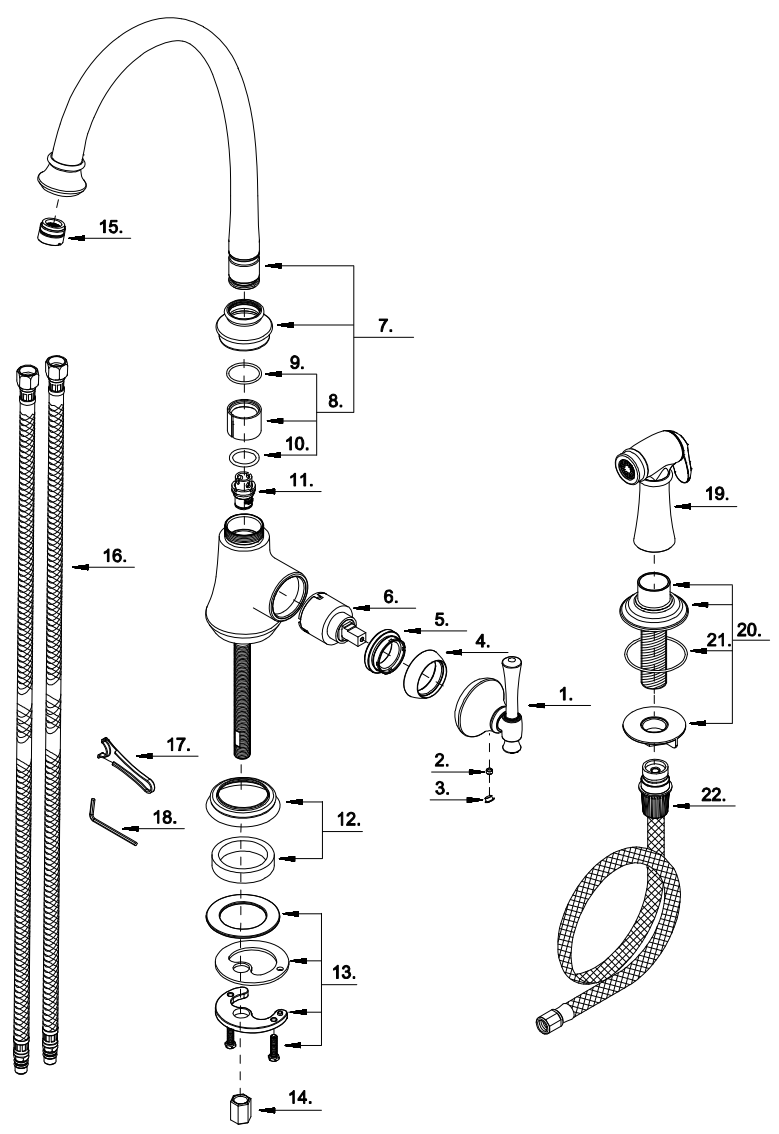
- CSA Certified
- IAPMO Listed
- ADA Compliant



# LUXART

## Parts List

No.	Part Name	Part No.
1	Metal Handle	A662588
2	Screw (M4 * 4 mm L)	A008723
3	Handle Cap	A02846M
4	Trim Cap	A103268
5	Locking Nut	A104002
6	Ceramic Disc Cartridge	A507348N
7	Spout Assembly	A666745N
8	Spout Seal Kit	A66D066N
9	O-Ring (Φ1" ID * Φ1 - 1/8" OD)	A063008
10	O-Ring (Φ3/4" ID * Φ15/16" OD)	A004096N
11	Spray Diverter w/Vacuum Breaker	A501213N
12	Base Trim Ring	A667665
13	Mounting Hardware	A663169
14	Lock Nut	A070075
15	Aerator	A500160N
16	Supply Hose	A105172N
17	Washer	A031025CP
18	Hex Wrench (H2.5 * 19 mm L * 53 mm L)	A031000
19	Side Spray	A503123N
20	Spray Holder Assembly (3 - 15/16" L)	A604630
21	O-Ring (Φ1 - 7/8" ID * Φ2" OD)	A004545
22	Spray Hose	A511000N



For replacement parts,  
or technical assistance, please call (888) 328-2383



Faucet Specifications